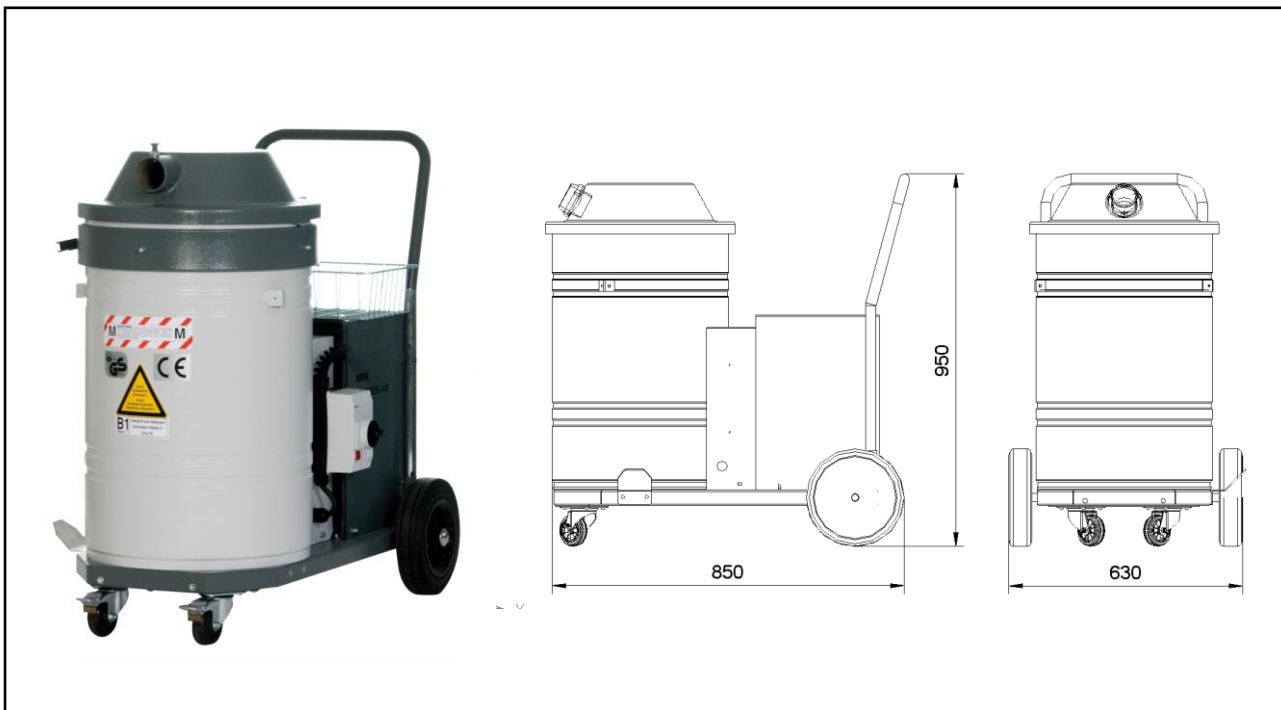


DUROSOG-I-D/H/B1

(81.22B)

Voltage	(V)	400	Filter surface pre-filter, „M“	(m ²)	3
Motor	(kW)	2,2	No. of filter elements	(pc)	1
Ampere	(A)	4,5	Filter material	dust classification “H”	
Rated frequency	(Hz)	50	Weight	(kg)	80
Fuse	(A)	16	Intake	(mm)	50
Max. neg. pressure	(Pa)	22.000	Dust collection bin	(Liter)	70
Max. airflow	(m ³ /h)	275	Dimension (L x W x H)	(mm)	850 x 630 x 950



ESTA PLUS

Application range:

- For sticky substances and dust that tends to clump
- Removal of dusts that are hazardous to health and cancer-causing dust

Characteristics:

- Equipped with pre-separator
- paper filter bag
- cloth filter
- Three-phase device
- Long life cartridge filter (dust classification H)
- Test Certificate: dust classification "H" and B1

Your benefits at a glance:

- With the use of special filtration technology this model is suitable for dry dust, sticky dust and dust that tends to clump
- Tight and easy-to-handle design
- Convenient dust disposal in a paper filter bag

Modification:

- Special voltage
- Special painting
- Installation of a pre-separator possible

State of the art: 8122B-51-00. Subject to change without notice! For remaining questions please do not hesitate to contact us..

ESTA Apparatebau GmbH & Co. KG
 Gotenstraße 2 – 6
 89250 Senden

Telefon 07307 804-0
 Telefax 07307 804-500
 E-Mail info@esta.com

www.esta.com