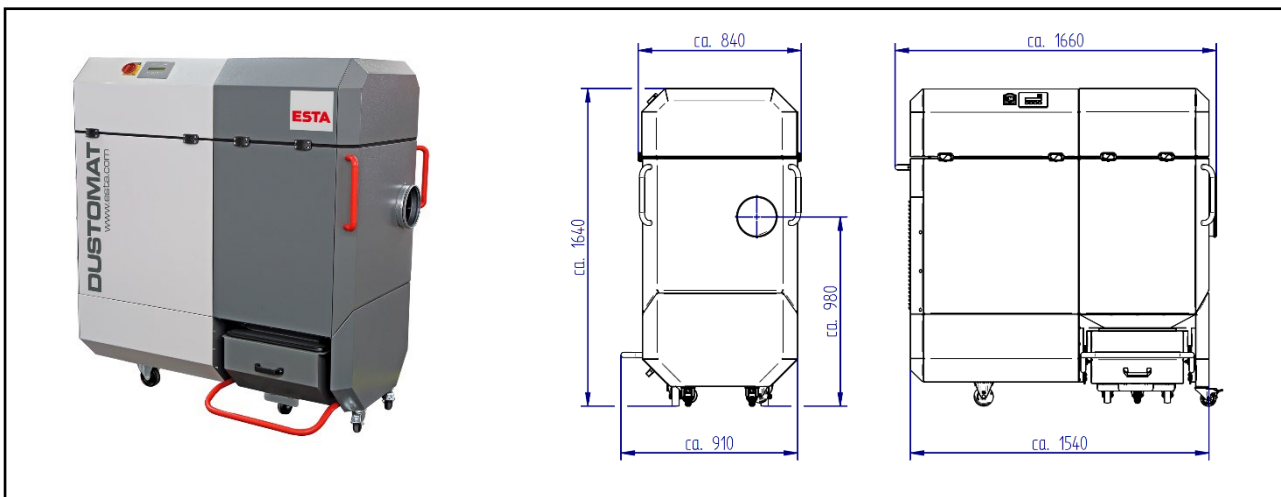


# DUSTOMAT 4-24 ATEX (Display)

(09.762)

Mains voltage (V)	400	Main filter surface (m <sup>2</sup> )	24
Nominal power (kW)	4.0	Main filter quantity (pc)	2
Mains frequency (Hz)	50	Main filter material	M - filter cartridge
Circuit breaker (A)	C16	Cleaning type	Jet pulse
Max. volume flow (m <sup>3</sup> /h)	3,300	Post-filter surface	17
Max. neg. pressure (Pa)	3,600	Post-filter quantity	1
Intake opening (mm)	200	Post-filter material	H14 - filter cassette
Sound pressure level LpA(dBA)	72	Collection volume (liter)	38
Comp. air consumption* (l/impuls) approx.	19	Dimensions (L x W x H) (mm)	1.660 x 910 x 1.640
Comp. air connection (bar)	4 – 6	Weight (kg)	310

\*at 4 bar with a valve opening time of 0.12 sec.



## ESTA PLUS

### Application range:

- Single or multi-station extraction in industry and trade
- Pourable, dry, flammable, conductive dust and shavings
- Installation location: EX-zone-free on the outside

### Your benefits at a glance

- All-purpose for dust and shavings
- Compact and powerful
- Low operating costs
- Convenient dust disposal
- Extremely quiet operation
- New innovative cabinet design, therefore providing a small footprint

### Characteristics:

- Integrated impact separator
- Mobile dust collection drawer for easy disposal
- Mobile on rolls
- Main filter: Cleanable long life cartridge filters (dust classification M)
- Control filter: Filter cassette dust classification H
- ATEX marking

### Optional:

With different filter cartridges, exhaust air connection, special voltage, special painting, pre-separators, external control with potential-free contact

**State of the art: 09762-51-01** Subject to change without notice! For remaining questions, please do not hesitate to contact us.

ESTA Apparatebau GmbH & Co. KG  
 Gotenstraße 2 – 6  
 89250 Senden / GERMANY

Phone +49 7307 804-0  
 Fax +49 7307 804-500  
 E-Mail info@esta.com

[www.esta.com](http://www.esta.com)