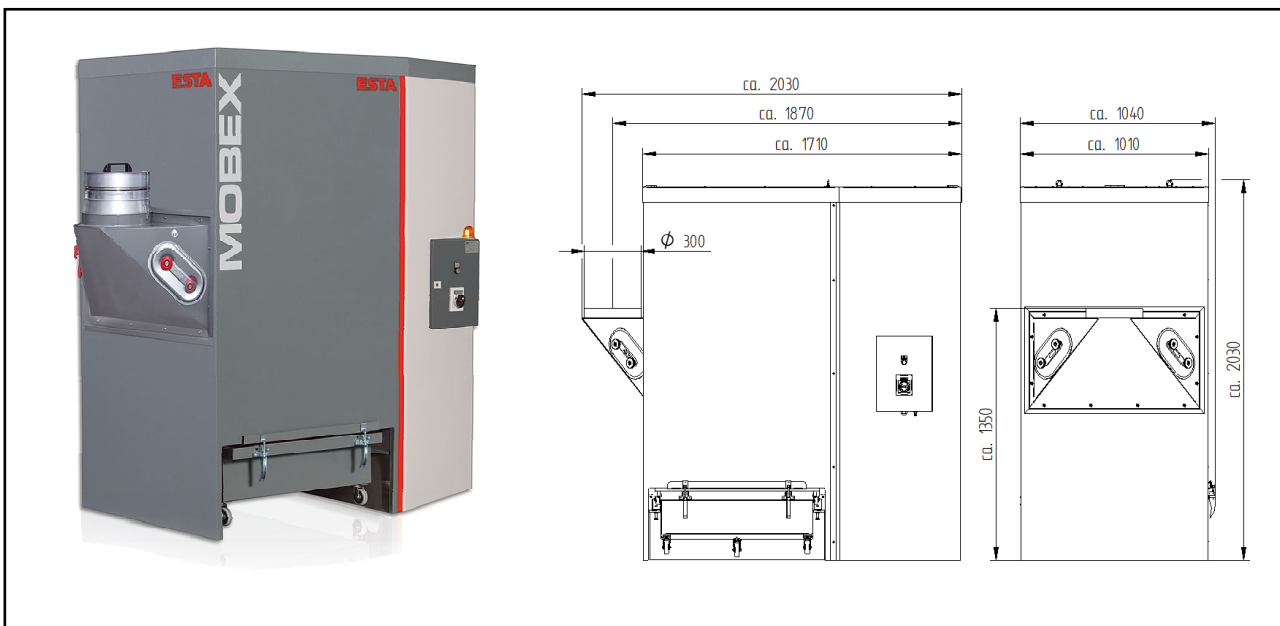


MOBEX F-80 *eco*⁺

(09853)

Motor	(kW)	4,0	Filter surface	(m ²)	80
Voltage	(V)	400	No. of filter elements	(Pc)	4
Rated frequency	(Hz)	50	Filter cleaning		Jet-Pulse
Fuse	(A)	C16	Dust collection drawer	(Liter)	100 - 150
max. airflow	(m ³ /h)	5.600	Dimensions (L x B x H)	(mm)	2.030 x 1.040 x 2.030
max. neg. pressure	(Pa)	3.300	Weight	(kg)	ca. 415
Intake	(mm)	300	Comp. air requirement	(l/Impuls)	ca. 19
Sound level	(dBA)	77	Comp. air connection	(bar)	4-6

* at 4 bar with valve opening 0,12 sec



ESTA PLUS

Application range:

- Single and multiple extraction in industrial plants or smaller workshops
- Dry, pourable, dust & fume

Your benefits at a glance:

- All-purpose for dusts and chips
- Tight and powerful
- Convenient dust disposal
- Low operation noise
- Low operating costs

Characteristics:

- Automatic jet pulse filter cleaning system
- Cleanable long life cartridge filters (dust classification M)
- Integrated spark protection
- Easy replaceable dust collection bins
- New housing structure of sandwich panel
- Newly conceptualised EasyControl controller with *eco*⁺ design

Modifications:

- Mobile on wheels (H + 107 mm)
- With backup filter cassette (dust class H)
- Activation via potential-free contact

State of the art: 09853-51-01 Subject to change without notice! For remaining questions, please do not hesitate to contact us.