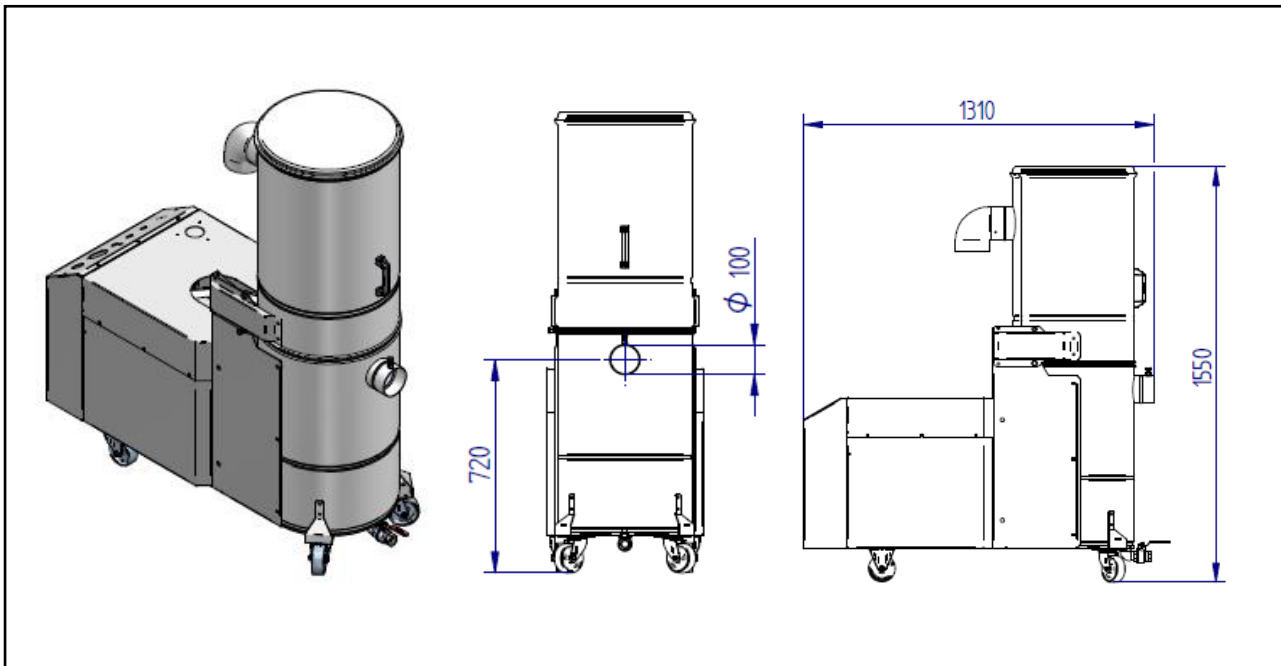


Wet separator NA-1.1

(45.611)

Voltage	(V)	400	Water outtake	G 3/4"
Motor	(kW)	1,1	Dimensions (Lx W x H)	(mm) 1.310 x 530 x 1.550
Current (400V/50Hz)	(A)	2,4	Weight (without Water)	(kg) 140
Fuse	(A)	16	Water capacity	(l) 35
max. neg. pressure	(Pa)	1.700	Intake	(mm) 100
max. airflow	(m ³ /h)	560		



ESTA PLUS

Application range:

- Extraction of sticky substances
- Spark generating production processes
- Extraction of flammable, explosive and try substances
- defined as "Zone 22" types of dust

Your benefits at a glance:

- Extraction of aluminium dust
- High suction power for sticky and wet dust
- For spark generating production

Special Features:

- Tilt back upper housing
- Magnetic valve for automatic water supply (optional)
- Stainless steel (optional)

Optional:

- Optional in ATEX

State of the art: 45611-51-02 Subject to change without notice! For remaining questions please do not hesitate to contact us.

ESTA Apparatebau GmbH & Co. KG
Gotenstraße 2 – 6
89250 Senden

Telefon 07307 804-0
Telefax 07307 804-500
E-Mail info@esta.com

www.esta.com