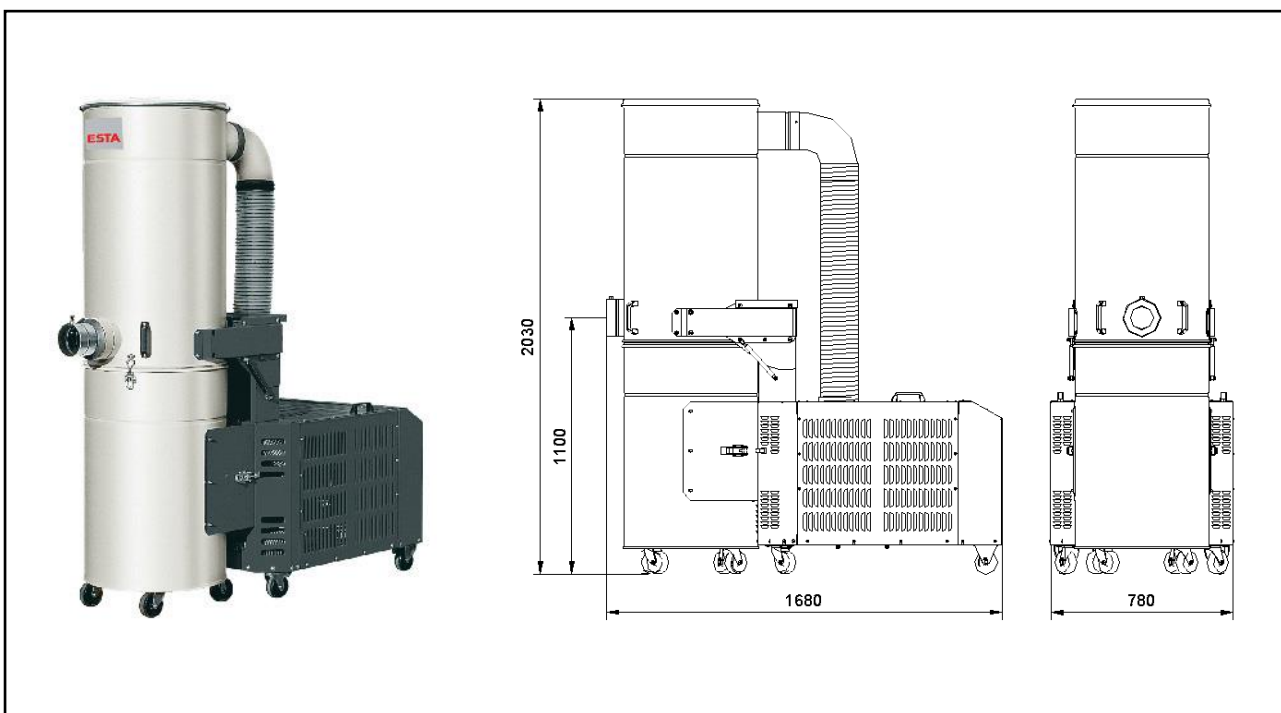


## WHISPERSOG 2.2 Jet

(83.113)

Voltage	(V)	400	Filter surface	(m <sup>2</sup> )	8,5
Motor	(kW)	2,2	No. of filter elements	(pc)	4
Ampere	(A)	4,5	Filter material	dust classification "M"	
Rated frequency	(Hz)	50	Filter cleaning	Jet	
Fuse	(A)	16	Weight	(kg)	230
Max. neg. pressure	(Pa)	21.000	Intake	(mm)	50
Max. airflow	(m <sup>3</sup> /h)	300	Dust collection bin	(Liter)	200
			Dimension (L x W x H)	(mm)	1.680 x 780 x 2.030



## ESTA PLUS

### Application range:

- Removal of coarse, fine and pourable dust during cleaning works

### Characteristics:

- Filter cleaning: Jet-cleaning

### Your benefits at a glance:

- Very quiet and powerful vacuum cleaner for dry dust
- Designed for continuous operation
- Cleanable long life cartridge filters with dust classification M
- Easy disposal of the dust collection bag by a patented tiltable filter housing

### Modification:

- Special voltage
- Special painting
- Installation of a pre-separator possible
- With different filter cartridges

State of the art: 83113-51-02 Subject to change without notice! For remaining questions please do not hesitate to contact us.

ESTA Apparatebau GmbH & Co. KG  
Gotenstraße 2 – 6  
89250 Senden

Telefon 07307 804-0  
Telefax 07307 804-500  
E-Mail [info@esta.com](mailto:info@esta.com)

[www.esta.com](http://www.esta.com)